



H A Harman International Company

D112

Bass Dynamic Microphone

Description

The pop recording industry often prefers selected models of dynamic microphones for the pickup of closely spaced bass drums and bass guitar amplifiers. The reason is that the moving system of the dynamic can be designed to handle these high excursions with very high mechanical linearity. The AKG Model D112 is a descendent of AKG's earlier D12 dynamic microphone, widely known for its ability to handle high level signals from bass drums and bass guitars in the studio. The microphone has been designed with a low resonance frequency and can handle very high transient signals with virtually unmeasurable distortion. High frequency response has been tailored to keep both bass drum and bass guitar clearly distinguishable in the mix. A built-in windscreen makes the D112 also suitable for high SPL instruments (trombone and tuba).

Specifications

Transducer type:	Dynamic pressure gradient
Frequency response:	20 Hz - 20 kHz (+/- 10 dB) 40 Hz - 17 kHz (+/- 3 dB)
Polar pattern:	Cardioid
Impedance:	210 ohms
Output connector:	XLR-M
Sensitivity:	1.8 mV/Pa; -54 dB (re 1 V)
Sound pressure level for 1% /3% THD:	virtually unmeasurable
Size:	5.9" x 2.9" x 4.5" (150 mm x 70 mm x 115 mm)
Net weight:	9.9 oz (380 g)
Shipping weight:	2.2 lb (970 g)
Accessories included:	SA40 Stand adapter
Optional accessories:	KM259/1 Tripod floor stand - complete with boom KM259 Height adjustable tripod floor stand - complete with boom

Features

- **Response tailored for bass guitar and bass drum pickup, both in the studio and on-stage**
- **Response maintained down to 20 Hz**
- **THD virtually unmeasurable.**
- **Includes built-in windscreen and stand adapter**

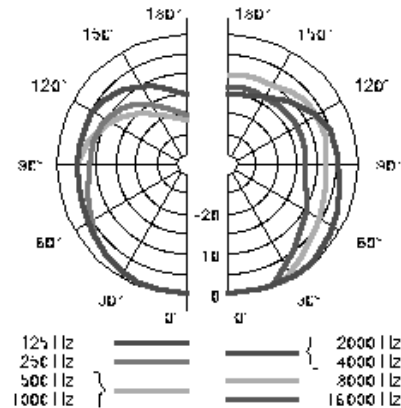
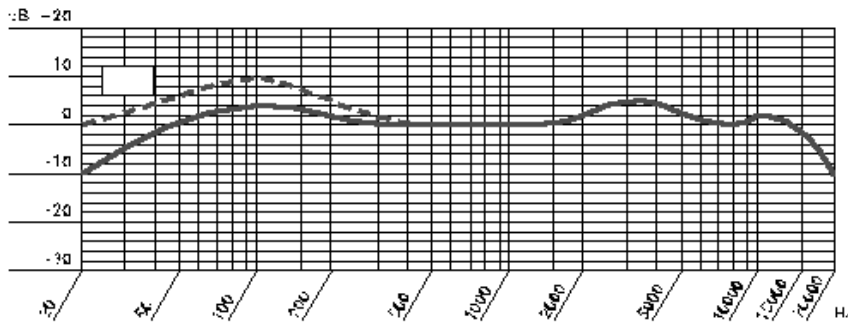


Architects and Engineers Specifications

The microphone shall be a dynamic type with a cardioid pickup pattern with response from 20 Hz - 20 kHz (+/- 10 dB), 40 Hz - 17 kHz (+/- 3 dB). Sensitivity shall be no less than 1.8 mV/Pa, and the maximum operating level for 1 and 3% THD

shall be virtually unmeasurable. The microphone dimensions shall be no greater than 5.9 x 2.75 x 4.52 inches, and microphone net weight shall be no greater than 13.4 ounces. The microphone shall be the AKG Acoustics Model D112.

Graphical Data



AKG is constantly improving and modifying its products, therefore, specifications are subject to change without notice.

Limited Warranty

Valid only in the United States. AKG Acoustics warrants AKG products against defects in material or workmanship for a period of one year from the date of original purchase for use, and agrees to repair or, at our option, replace any defective unit without charge for either parts or labor. Important: This warranty does not cover damage resulting from accident, misuse or abuse, lack of reasonable care, the affixing of any attachment not provided with the product, loss of parts or connecting the product to any but the specified receptacles. This warranty is void unless service or repairs are performed by an authorized service center. No responsibility is assumed for any special, incidental

or consequential damages. However, the limitation of any right or remedy shall not be effective where such is prohibited or restricted by law. Simply take or ship your AKG product prepaid to our service department. Be sure to include your sales slip as proof of purchase date. (We will not repair transit damage under the no-charge terms of this warranty.) Note: No other warranty, written or oral is authorized by AKG Acoustics, Inc. This warranty gives you specific legal rights, and you may also have other rights which vary from state to state. Some states do not allow the exclusion or limitation of incidental or consequential damages or limitation on how long an implied warranty lasts, so the above exclusions and limitation may not apply to you..

Microphones · Headphones · Wireless Microphones · Wireless Headphones · Headsets · Electroacoustical Components



H A Harman International Company

AKG Acoustics GmbH
Lemböckgasse 21-25, P.O.B. 158, A-1230
Vienna/AUSTRIA
Tel: (43 1) 86 654-0*, Fax: (43 1) 86 654-516
Internet: <http://www.ake-acoustics.com>

AKG Acoustics; A Division of Harman Pro Germany
Bodenseestraße 228, D-81243 München/GERMANY
Tel: (089) 87 16-0, Fax: (089) 87 16-200

Arbiter Pro Audio
Wilberforce Road, London NW9 6AX/ENGLAND
Tel: (0181) 202 1199, Fax: (0181) 202 7076

AKG ACOUSTICS, U.S.
1449 Donelson Pike
Nashville, TN 37217, U.S.A.
Tel: (615) 360-0499, Fax: (615) 360-0275

Studer Japan Ltd.
2-43-7, Uehara, Shibuya-ku, Tokyo 151-0064/JAPAN
Tel: (813) 3465-2211, Fax: (813) 3465-2214

Erikson Pro Audio
620 McCaffrey, St-Laurent, Quebec, H4T 1N1, CANADA
Tel: (514) 738-3000, Fax: (514) 737-5069
Internet: www.jam-ind.com/eriksonpro

Specifications subject to change without notice.